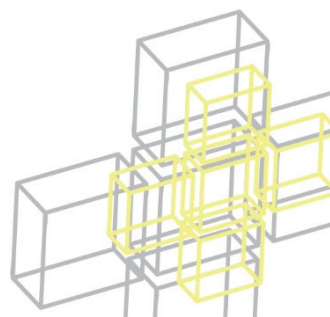


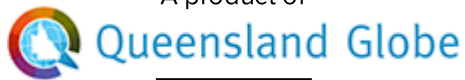
Annexure 4:

QLD Globe Aerial Overlay

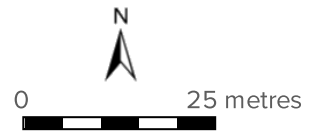




A product of



Legend located on next page



Scale: 1:972

Printed at: A4

Print date: 10/11/2020

Datum: Geocentric Datum of Australia 1994
Projection: Web Mercator EPSG 102100

For more information, visit
<https://qldglobe.information.qld.gov.au/help-info/Contact-us.html>



Queensland Government

Department of Natural Resources, Mines and Energy

Includes material © State of Queensland 2020. You are responsible for ensuring that the map is suitable for your purposes. The State of Queensland makes no representation or warranties in relation to the map contents and disclaims all liability.

Imagery includes material © CNES reproduced under license from Airbus DS, all rights reserved © 21AT © Earth-i, all rights reserved, 2019

Natural parcel boundary



Road parcel



Land parcel



Easement parcel



Strata parcel



Volumetric parcel



Land parcel label

Road Crossing



Tunnel

Railway



Road

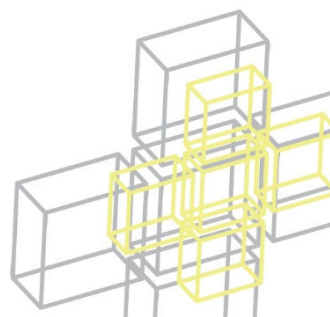


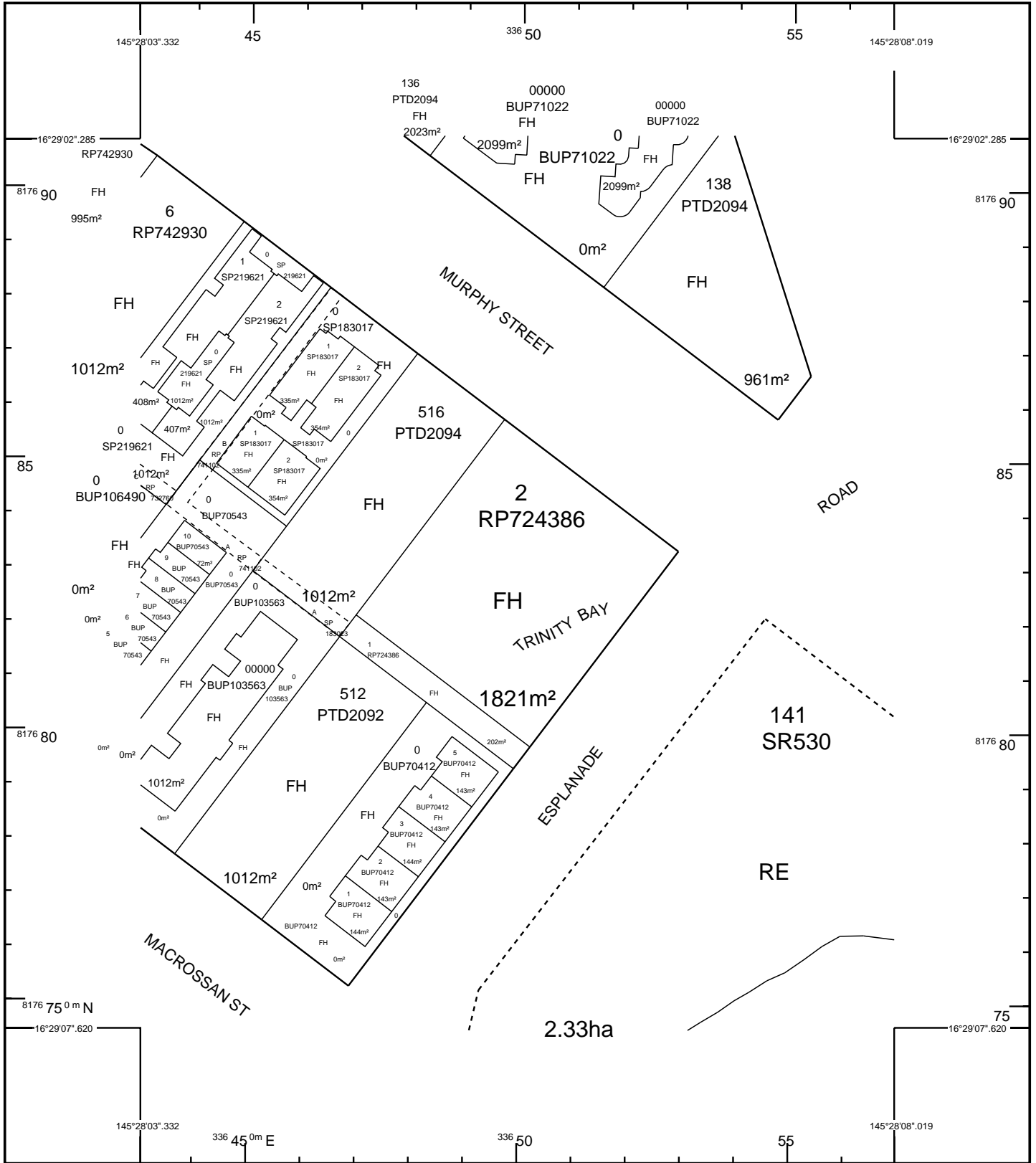
Includes material © State of Queensland (Department of Natural Resources, Mines and Energy); © Commonwealth of Australia (Geoscience Australia); © 21AT, © Earth-i, all rights reserved, 2020.

© State of Queensland (Department of Natural Resources, Mines and Energy) 2020

© State of Queensland (Department of Natural Resources and Mines), 2016

Annexure 5: SmartMap





STANDARD MAP NUMBER
7965-22232



MAP WINDOW POSITION & NEAREST LOCATION



SUBJECT PARCEL DESCRIPTION

DCDB	
Lot/Plan	2/RP724386
Area/Volume	1821m ²
Tenure	FREEHOLD
Local Government	DOUGLAS SHIRE
Locality	PORT DOUGLAS
Segment/Parcel	8714/5

CLIENT SERVICE STANDARDS

PRINTED (dd/mm/yyyy)	10/11/2020
DCDB	09/11/2020
Users of the information recorded in this document (the Information) accept all responsibility and risk associated with the use of the Information and should seek independent professional advice in relation to dealings with property.	
Despite Department of Natural Resources, Mines and Energy(DNRME)'s best efforts, DNRME makes no representations or warranties in relation to the Information, and, to the extent permitted by law, exclude or limit all warranties relating to correctness, accuracy, reliability, completeness or currency and all liability for any direct, indirect and consequential costs, losses, damages and expenses incurred in any way (including but not limited to that arising from negligence) in connection with any use of or reliance on the Information	
For further information on SmartMap products visit https://www.qld.gov.au/housing/buying-owning-home/property-land-valuations/smartmaps	

SmartMap

An External Product of SmartMap Information Services
Based upon an extraction from the Digital Cadastral Data Base



Queensland Government
(c) The State of Queensland, (Department of Natural Resources, Mines and Energy) 2020.

